

INSTALLATION INSTRUCTIONS FOR UPGRADED VENT KITS 05744797 AND 05744798 FOR 1994-1996 HUMMERS

(84) ONLY (05744797)

<u>ITEM</u>	<u>PART DESCRIPTION</u>	<u>PART NUMBER</u>	<u>QTY</u>
1	Installation Instructions	05744799	1
2	Vinyl Trim, 9"	06009348	1
3	Intake Scoop*	06008703 P	1
4	Intake Scoop Gasket	06009176	1
5	Elbow Support Bracket	06008702 P	1
6	Nut Insert, Closed End 10-24	05939334	21
7	Screw, w/ Loctite 10-24	06008857	21
8	Exterior Exhauster Cover*	06008764 P	2
9	Exhauster LH	06008778	1
10	Exhauster RH	06008779	1
11	Gasket, Exhauster RH	06009376	1
12	Gasket, Exhauster LH	06009175	1

* Must be painted to match vehicle prior to installation

(82,83,86,87,89) (05744798)

<u>ITEM</u>	<u>PART DESCRIPTION</u>	<u>PART NUMBER</u>	<u>QTY</u>
1	Installation Instructions	05744799	1
2	Vinyl Trim, 9"	06009348	1
3	Intake Scoop*	06008703 P	1
4	Intake Scoop Gasket	06009176	1
5	Elbow Support Bracket	06008702 P	1
6	Nut Insert, Open End 8-32	06008861	14
7	Nut Insert, Closed End 10-24	05939334	7
8	Screw w/ Loctite 8-32	06008860	14
9	Screw w/ Loctite 10-24	06008857	7
10	Interior Vent Duct LH	06008849	1
11	Interior Vent Duct RH	06008850	1
12	Exhauster Mounting Plate	06008853 P	2
13	Gasket, Interior vent duct	06008851	2



14	Exhauster LH	06008778	1
15	Exhauster RH	06008779	1
16	Exhauster Gasket RH	06009376	1
17	Exhauster Gasket LH	06009175	1
18	Exterior Vent Cover LH*	06008855 P	1
19	Exterior Vent Cover RH*	06008856 P	1

* Must be painted to match vehicle prior to installation

Additional Materials Required:

- Sealer, Silaprene PN# 05593929 or equivalent body seam sealer
- Rivet gun capable of expanding nut inserts (plusnuts)
- Epoxy

It is recommended that this kit be installed by a trained body technician. Highly visible changes are being made to exterior body areas. Parts requiring paint to match the vehicle should be painted early enough to allow complete curing of the paint.

INTAKE SCOOP INSTALLATION (ALL)

(Item #'s refer to (84) parts list)

1. Raise and support hood. Remove raincap adapter, and gasket.
2. Remove air cleaner splash shield, air cleaner, elbow and air cleaner grommet if installed. If grommet is glued to body, attempt to install kit without removal. If removal is necessary, re-glue when installing.
3. Remove drain spout from lower area of air intake box.
4. Obtain Elbow support bracket (Item 5).

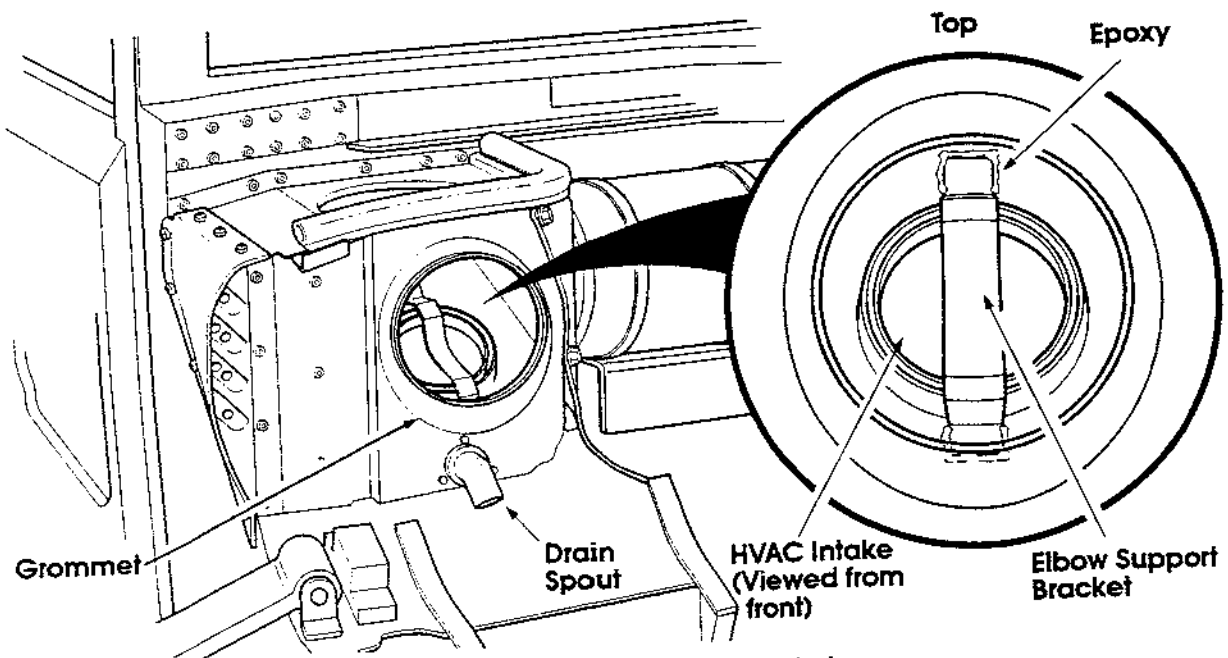


Figure 1 Elbow Support Bracket

5. Position bracket (Item 5) over HVAC fresh air intake hole in air box so that it is vertical and centered over hole. The larger portion of the bracket goes to the bottom, or facing the front of the vehicle. Do not place bracket in a location that will prevent installation of air box drain spout (See Figure 1).
6. Prepare spots on body where support will rest by removing paint and metal coatings. Repeat on bracket, then epoxy bracket to body. Allow epoxy to cure.
7. Measuring 2" back from the forward edge of the HVAC fresh air intake vent, mark each of the 4 louvers (See Figure 2).
8. Using the 2" mark as a starting point, place marks at $\frac{3}{4}$ " increments on louvers. Do not place marks on curved ends of louvers. There will be 8 marks on the top, 6 on the second, 4 on the third, and 1 on the bottom (See Figure 2).
9. Measure $\frac{1}{2}$ " up from lower bend of each of the 4 louvers and draw a line along its entire length (See Figure 2).
10. Centerpunch at each line intersection. Pilot drill with a $\frac{3}{16}$ " bit. Enlarge holes to $\frac{7}{16}$ ", deburr the holes (See Figure 2).

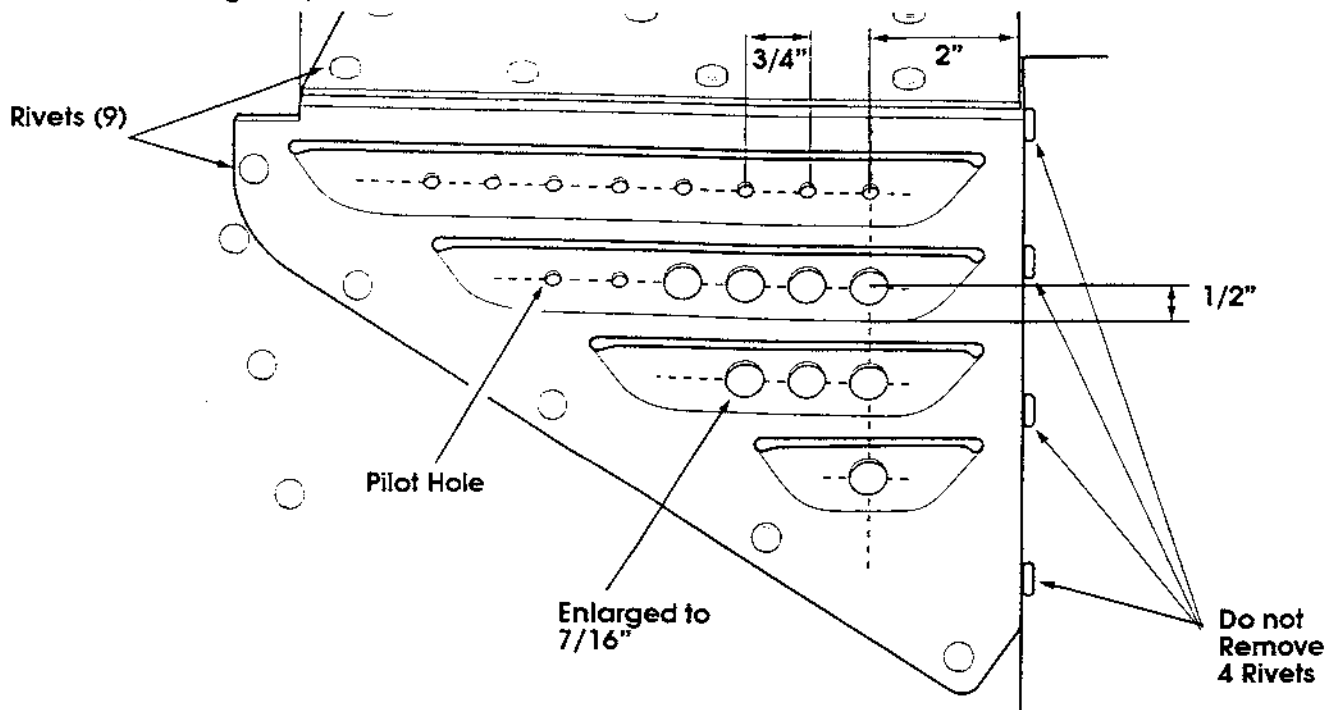


Figure 2 Fresh Air Intake Louver

11. Using a $\frac{3}{16}$ " drill bit, drill and remove 9 rivets from HVAC intake vent (side and top), do not remove the (4) forward facing rivets, and do not enlarge the holes (See Figure 2).
12. Obtain the intake scoop (Item 3), place on the body over the fresh air intake louvers so that the front edge of the scoop aligns with the front edge of the louvers. Mark out the 7 holes in the body. Alignment is critical (See Figure 3).
13. Centerpunch and pilot drill the 7 holes, then enlarge to $\frac{19}{64}$ ". Deburr the holes.
14. Install (7) 10-24 closed end nut inserts (Item 6) into the holes, use sealer on inserts when installing. Using a rivet gun or plusnut gun, expand the nut inserts in the body (See Figure 3).

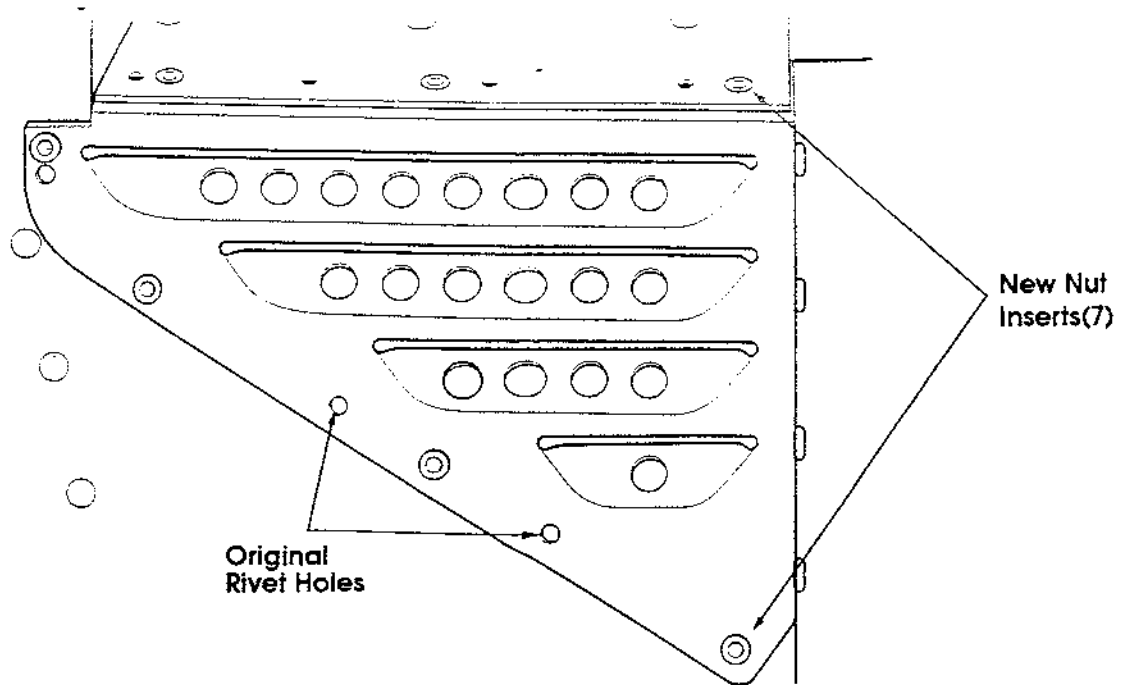


Figure 3 Nut Insert Installation

15. Remove all shavings from vent area with vacuum.
16. Paint the holes in the louvers.
17. Install air box drain spout, air cleaner grommet (if removed in step 2), air cleaner, elbow and splash shield. The newly installed bracket should hold the elbow forward and away from the fresh air intake hole.
18. Install rain cap adapter and gasket onto air box. It may be necessary to trim a small amount of rubber from the top of the elbow to ease the installation of the adapter, and prevent distortion of the elbow. Install rain cap onto adapter.
19. Install air intake scoop onto vehicle using gasket provided (Item 4), and (7) 10-24 screws with pre-applied loctite (Item 7).
20. Install the vinyl trim (Item 2) on the front edge of the scoop. Press the trim firmly onto the edge to ensure embedded adhesive contacts the scoop.

EXHAUST VENT INSTALLATION 82,83,86,87,89 (05744798)

This procedure is for installation of left side exhaust vent. Repeat steps for right side using right hand template in step 1

1. Obtain template (included with instructions) for left side exhaust vent (specific to model) (See Figure 4).
2. Fold template as indicated for specific model. Place against body using roof seam and rear body seam as reference points. Tape in place (See Figure 4).
3. Center punch body at (4) indicated points on the template (See Figure 4).

- CAUTION -

The roof harness is directly behind the cutout being made. Do not use cutting tools that will protrude through the metal being cut. Serious damage to the harness will result. The harness can be found on both sides of the vehicle. (See Figure 5)

4. Draw a line connecting the four points made in the previous step, remove body material inside lines.

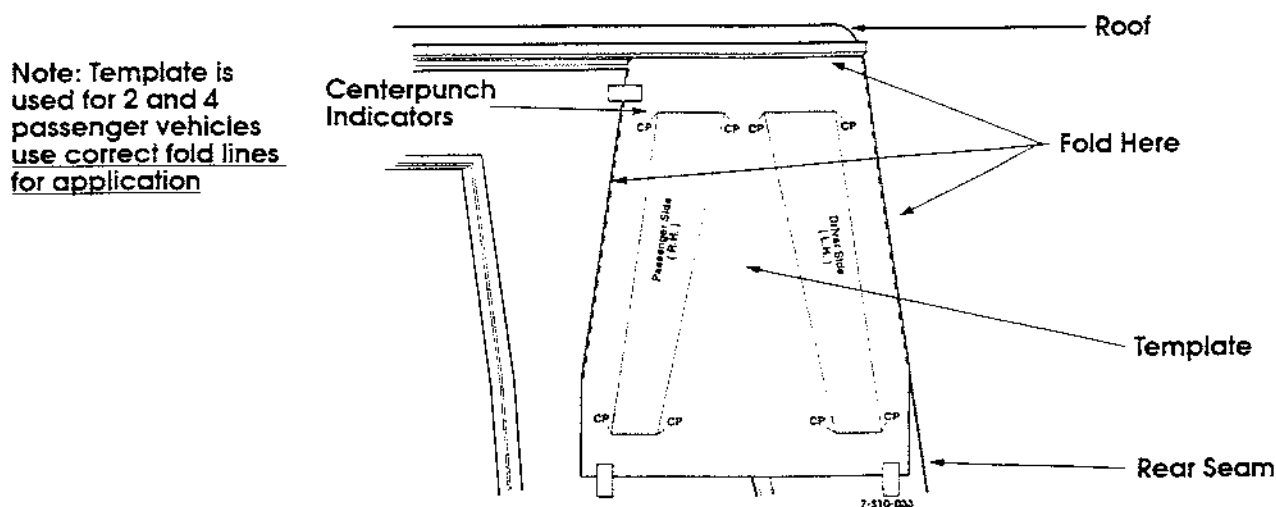


Figure 4 Template Usage (All but 84)

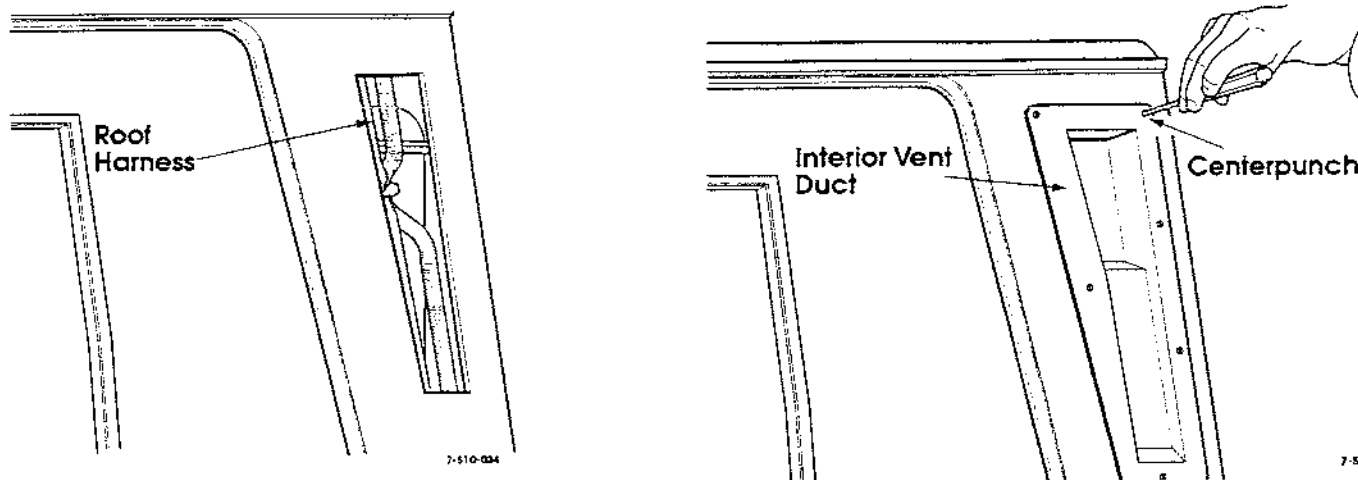


Figure 5 Harness Location and Mounting Hole Location

5. Insert interior vent duct (Item 10) into hole (cutout at top). It may be necessary to enlarge hole slightly to fit duct correctly (See Figure 5).
6. Using inside duct as a template, mark and centerpunch the 6 mounting holes in the body. Drill holes using a 17/64" drill bit (See Figure 5). Use a depth gauge on the drill to prevent harness or interior trim damage.
7. Install (6) open end 8-32 nut inserts (Item 6) into holes drilled in step 6. Inserts are expanded using a rivet or plusnut gun. (See Figure 6).

- NOTE -

Paint or treat bare metal to prevent rust formation

8. Install additional nut insert (Item 6) into hole in exhauster mounting plate to mount exhauster (See Figure 6).
9. Install parts in order listed: (See Figure 6)
 - Gasket, Interior vent duct (Item 13)
 - Interior vent duct (Item 10)
 - Exhauster mounting plate with exhauster and gasket installed (Item 12) (Item 14) (Item 16)
 - (2) 8-32 screws at two rear center mounting holes of exhauster mounting plate (Item 8)
 - Exterior vent cover (Item 18)
 - 4 remaining screws (Item 8)

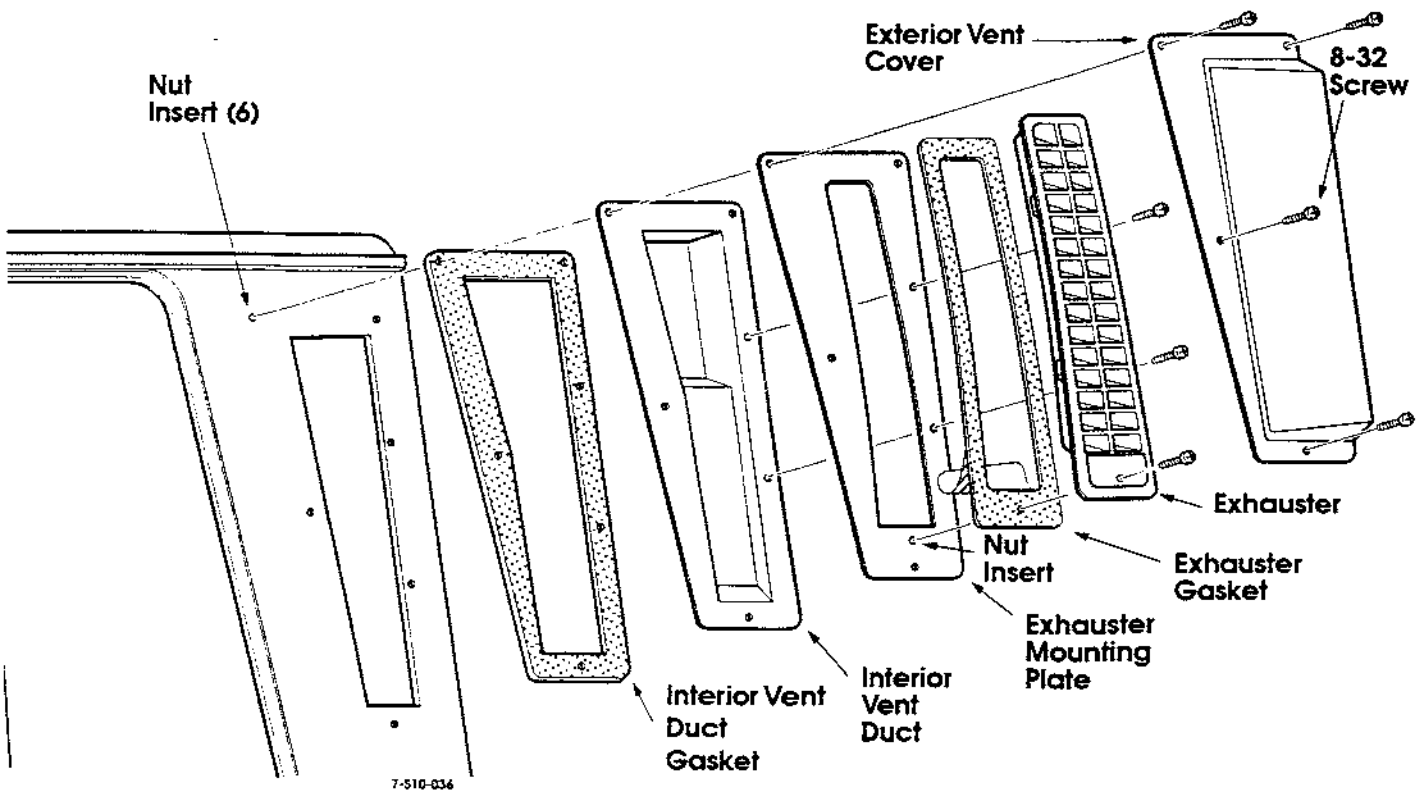


Figure 6 Vent Installation

EXHAUST VENT INSTALLATION (84)

This procedure is for installation of left side exhaust vent. Repeat steps for right side using right side template in step 1

1. Remove trim from left and right rear of vehicle (over side cargo windows) (See Figure 7).
2. On the rear of the trim piece, measure up the inside radius near the rear of the cargo window and place a mark $3\text{-}1/4''$ and $4\text{-}1/2''$ from the bottom of the panel and centered across the same level (See Figure 7).
3. Using marks, and centerline of ledge, cut (2) $7/8''$ holes using a holesaw (See Figure 7).

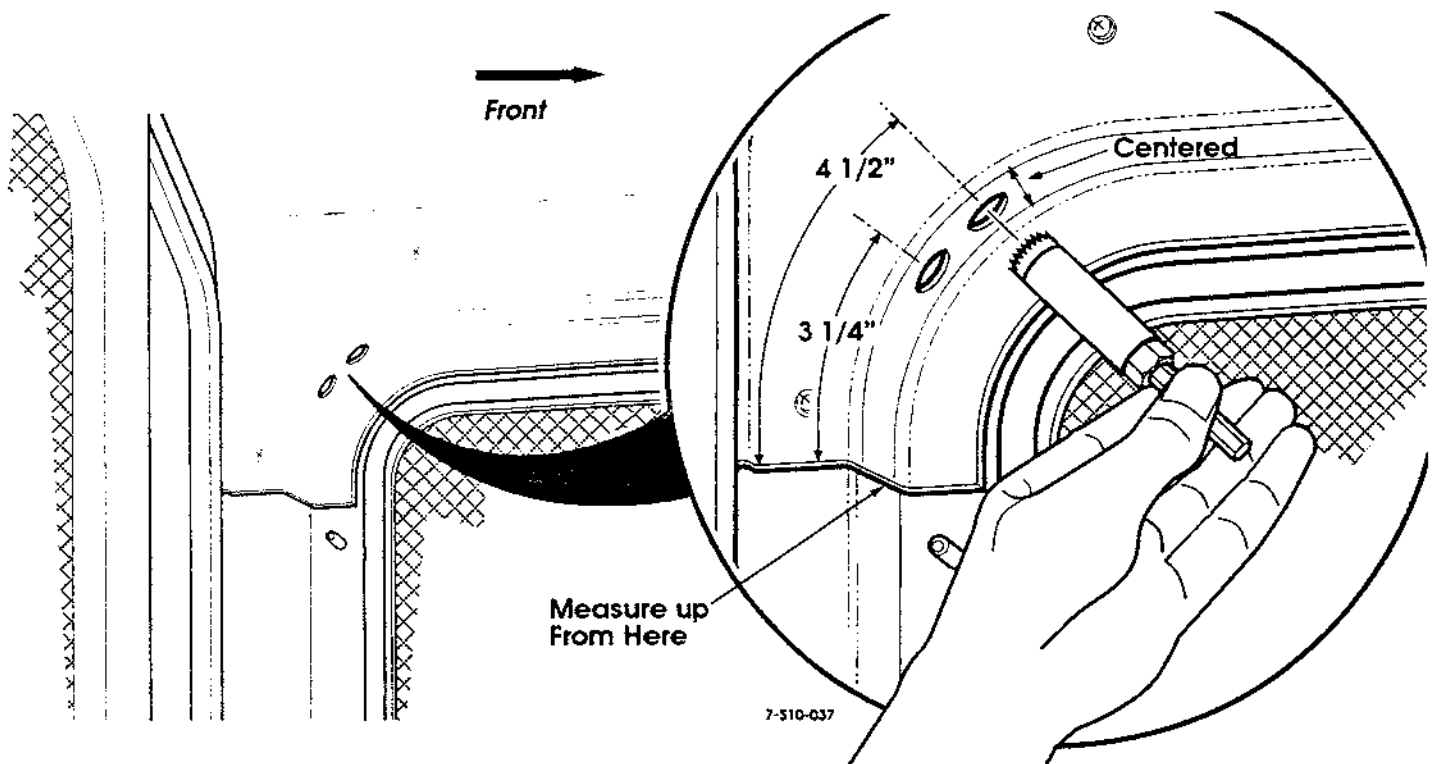


Figure 7 Left Side Trim Piece (Installed)

4. Place template against body as indicated. Centerpunch 8 points marked on template (See Figure 8).
5. Remove template and draw a line to connect the points. Drill top corner centerpunch points with a $3/8''$ drill bit to define the radius (See Figure 8).

- CAUTION -

Use caution when removing material from body. The depth of the cutting tool should not exceed 1"

6. Remove the body material to the inside of the lines.

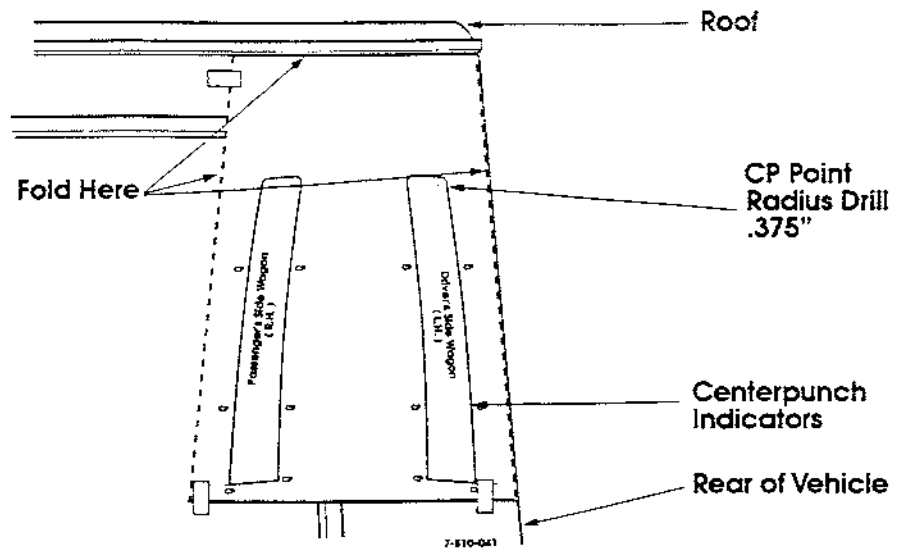


Figure 8 Template Usage (84)

7. Install left exhauster (Item 9) in hole. It may be necessary to enlarge the hole using a file.

- NOTE -

Paint or treat bare metal to prevent rust.

8. Using the exhauster as a template, centerpunch hole at the bottom of the exhauster and remove exhauster (See Figure 9).
9. Pilot drill hole with a 3/16" bit, enlarge to 19/64", and install (1) 10-24 closed end nut insert (Item 6) (See Figure 9).

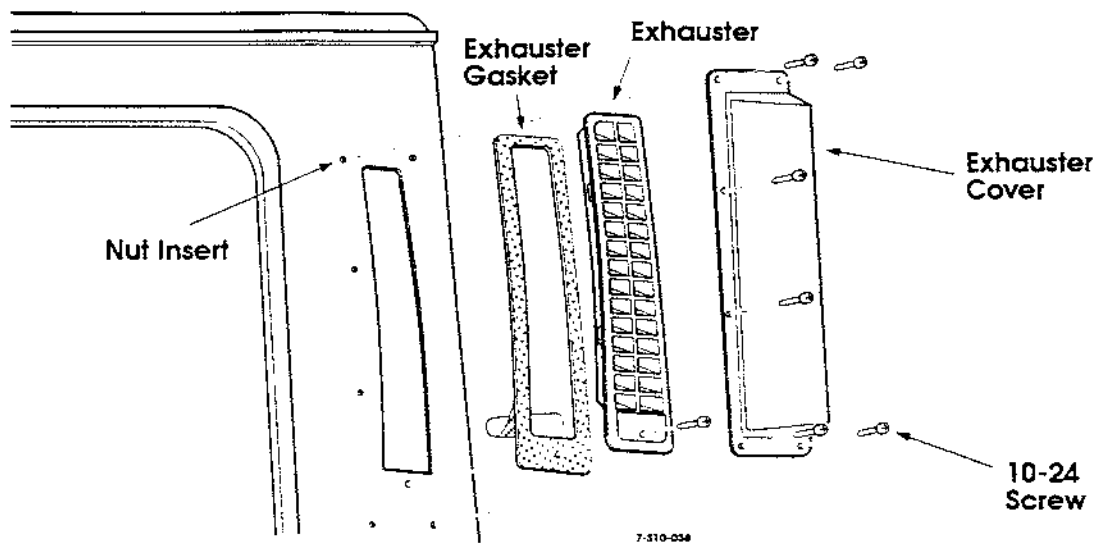
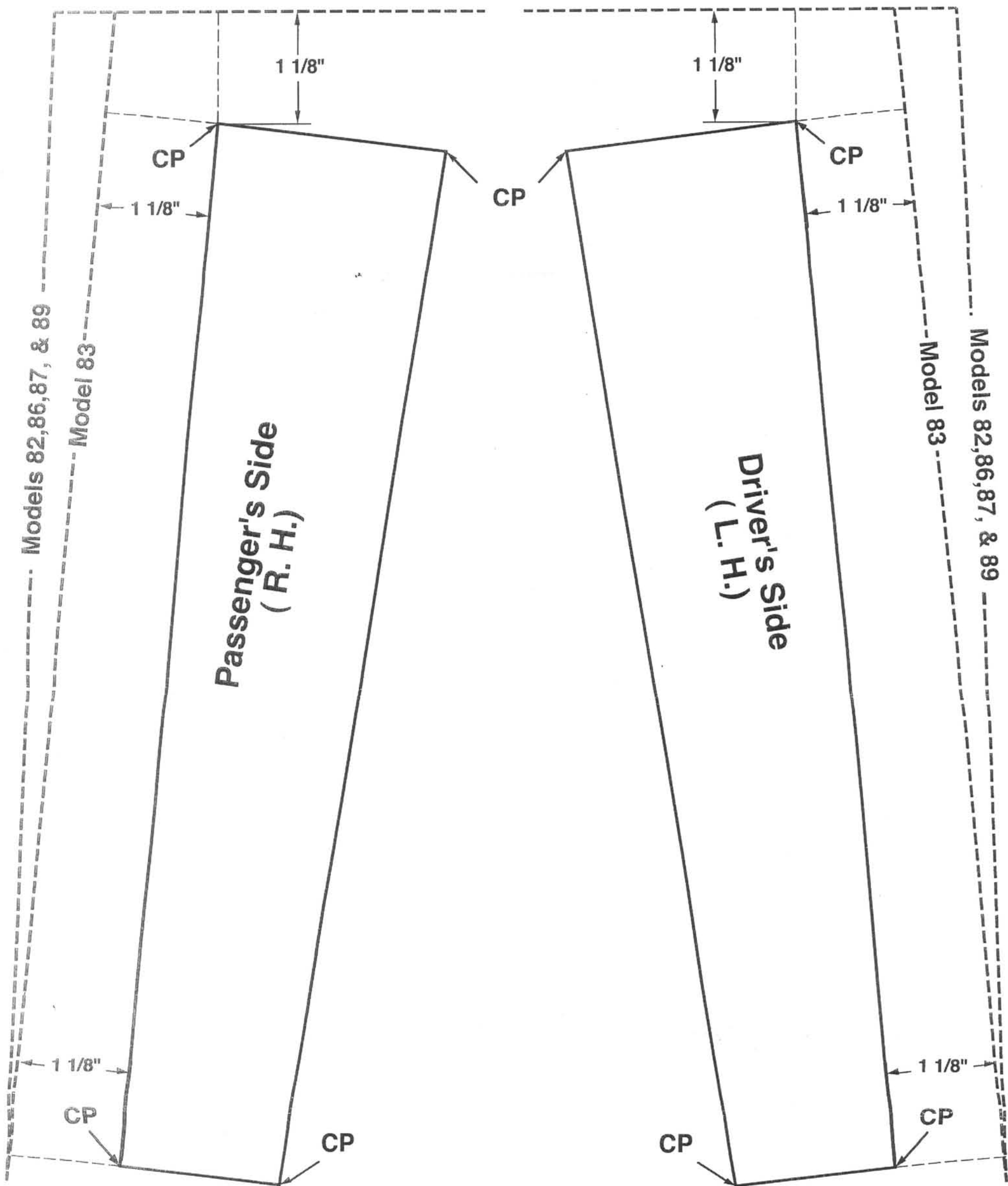
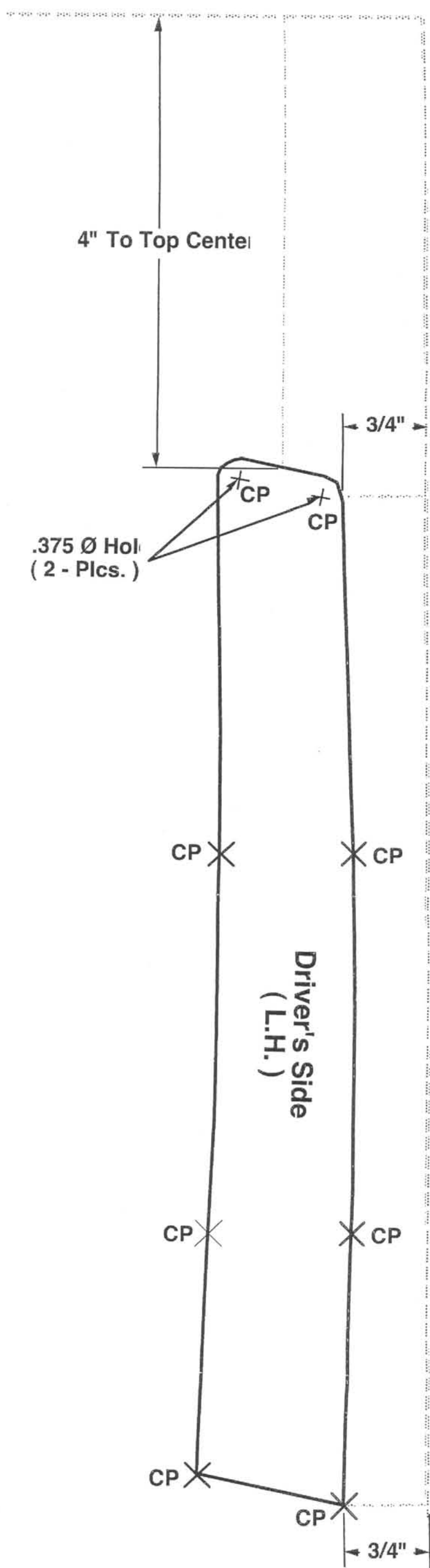
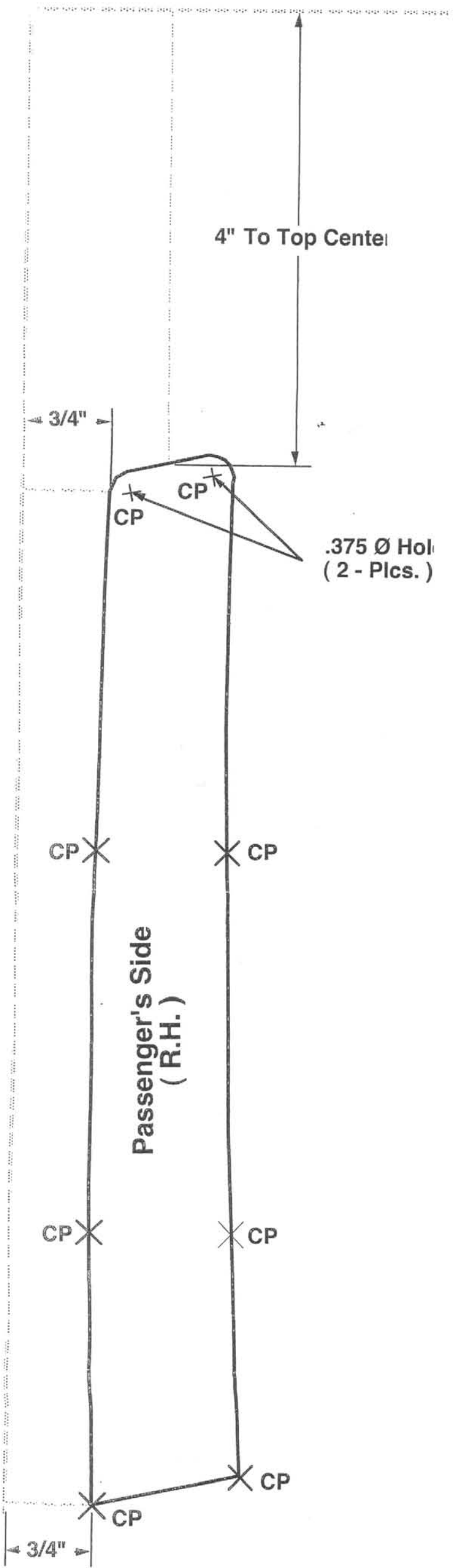


Figure 9 Vent Assembly (84)

10. Install exhauster (Item 9) with the gasket (Item 11) (remove paper backing) and 10-24 screw (Item 7) (See Figure 9).
11. Place exterior exhaust cover (Item 8) over exhauster so the back is 1/2" from rear edge of roof, and top is 1" from roof seam (See Figure 9).
12. Using cover (Item 8) as a template, mark mounting holes and remove cover and center punch holes.
13. Drill marks with a 3/16 pilot drill. Enlarge holes to 19/64" and install (6) 10-24 closed end nut inserts (Item 6). Use a clear body sealer on nut inserts.
14. Install cover (Item 8) on vehicle using (6) 10-24 screws (See Figure 9).
15. Install rear trim into vehicle and clean shavings from vehicle.



REAR VENT TEMPLATES
 -- for all Models except 84 --
 (Full Scale Do Not Copy)



REAR VENT TEMPLATES
-- for Model 84 Only --
(Full Scale Do Not Copy)